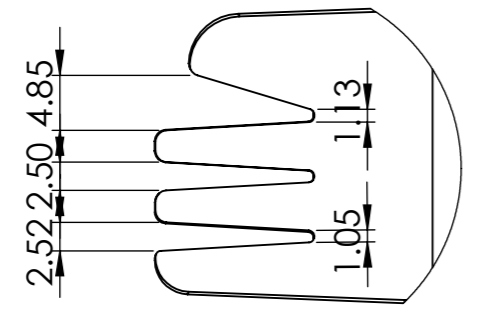
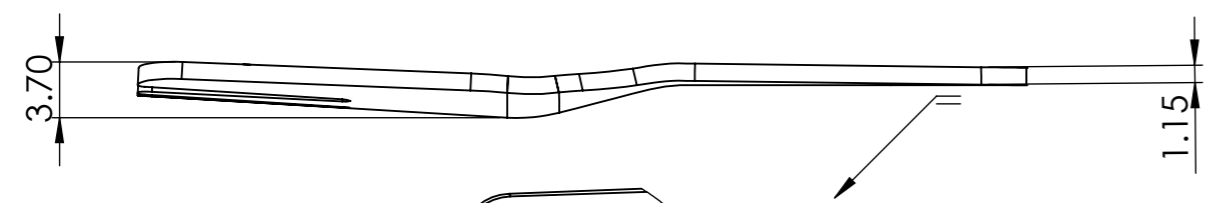
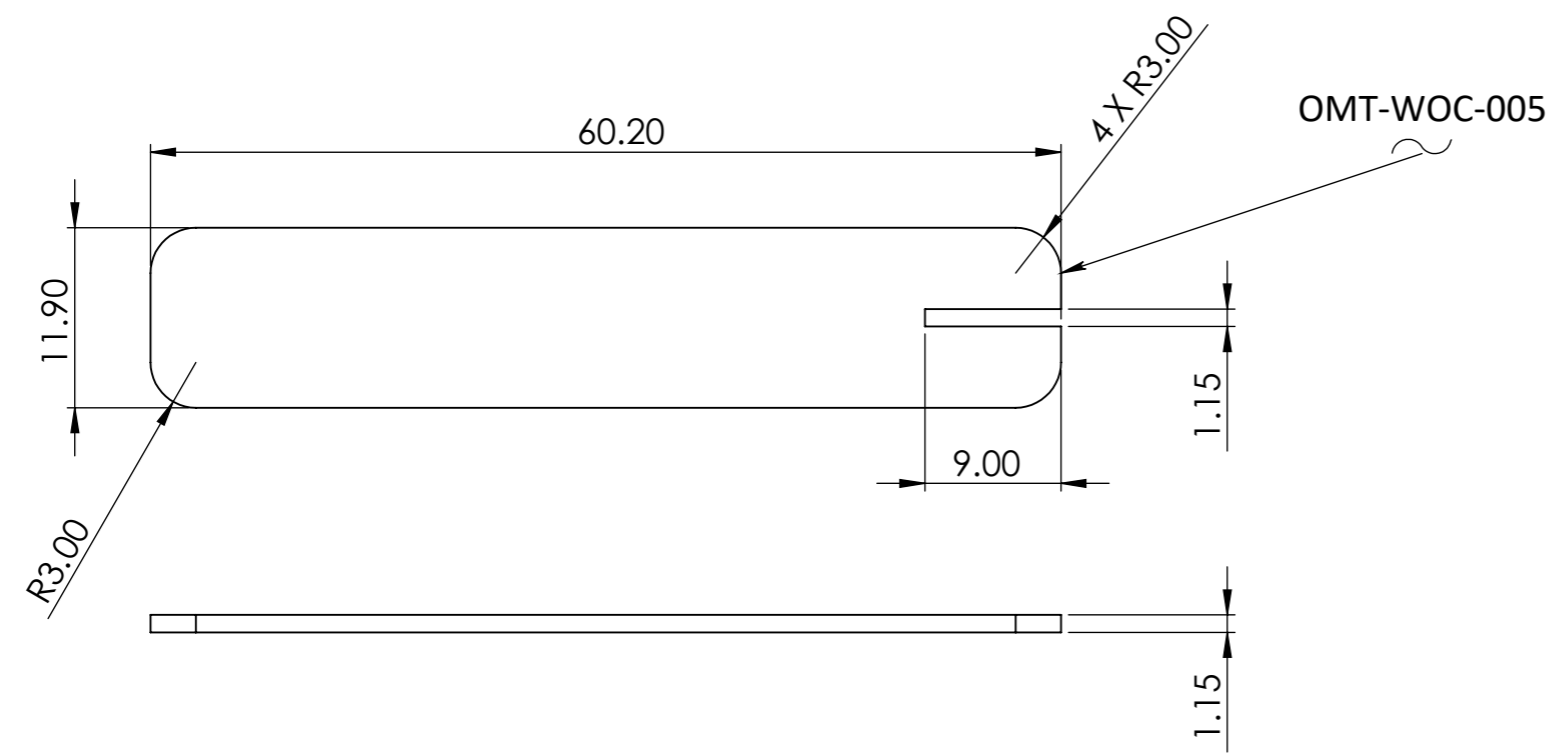
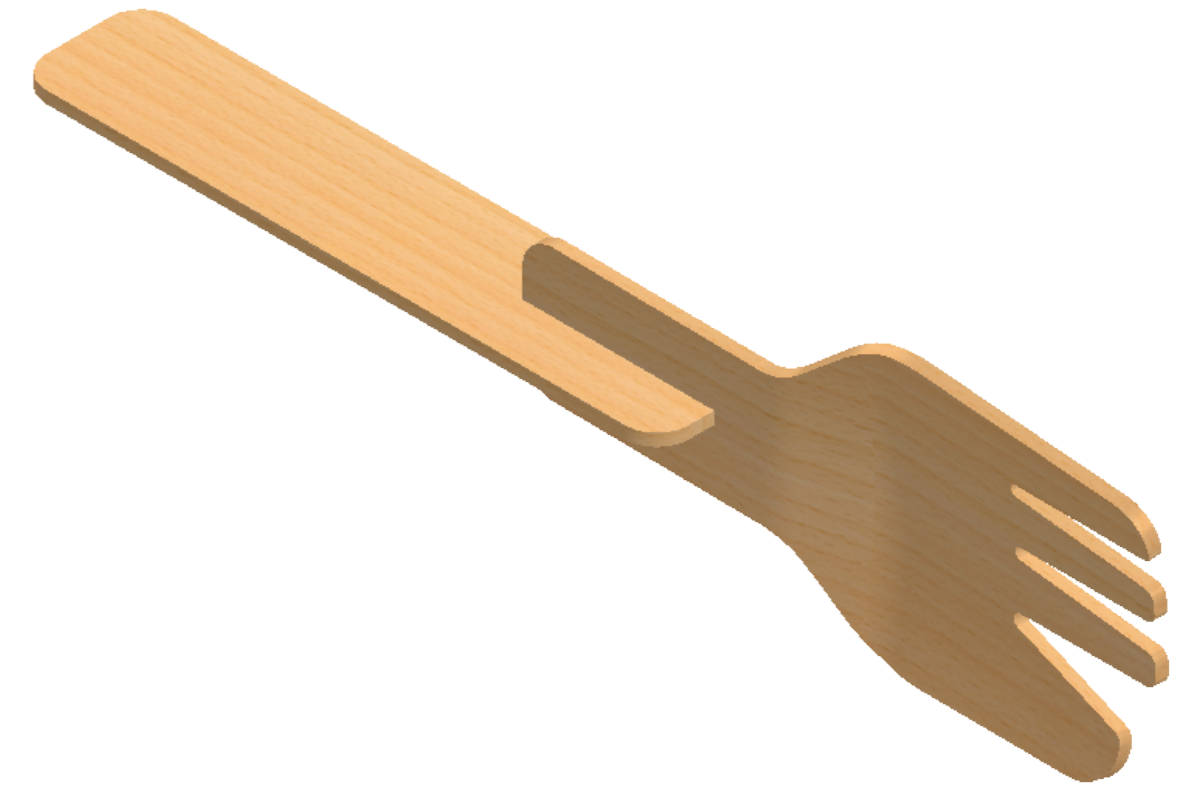


ITEM NO.	PART NUMBER	MATERIAL	WEIGHT
1	OMT-WOC-003	BIRCH	0.69g
2	OMT-WOC-005	BIRCH	0.58g



DETAIL A  
SCALE 1.5 : 1



	OMNIA TECHNOLOGIES LIMITED <small>UNIT 02 - 15/F - WAH WAI CENTRE - 38-40 AU PUI WAN STREET - FO TAN - HONG KONG</small>		
	DESCRIPTION <b>OMT-WOC-003</b> <b>OMT-WOC-005</b>	PROJECT NAME <b>WOODEN CUTLERY</b>	CLIENT NAME
DRAWING NO. <b>1</b>	<b>SHREF</b>		
AUTHOR <b>Tiffany Fung</b>			
DATE <b>24 Jun 2021</b>	SHEET NUMBER <b>1</b>	REVISION NUMBER <b>1.0</b>	SHEET SIZE <b>A3</b>
SCALE <b>2:1</b>			